

The ENSTO logo is displayed in a bold, blue, sans-serif font at the top right of the page.

CHAGO PREMIUM

EV charging with premium design

The intelligent and durable Chago Premium is a future-proof solution designed to deliver stylish and reliable EV charging for any business, in any environment.



Ensto is a leading solution provider of smart EV charging infrastructure and services. Our thousands of chargers in operation across Europe prove their reliability while contributing to a profitable charging business and a cleaner environment.

www.ensto.com

Ideal for any environment

- Powerful single or dual charging
- Low lifecycle costs
- Perfect for on-street locations, retailers, car parks, and more

Smart solutions put your business first

- Save money with future-proof Smart EV services
- Secure cloud-based remote management of your charging stations
- Easy to combine with your existing apps, loyalty programs, or customer portals

Value from elegance and durability

- Stylish Scandinavian design to support your brand
- High-quality industrial components with a robust, stainless steel structure
- Fully compliant with European regulations

Enjoy a user-friendly experience

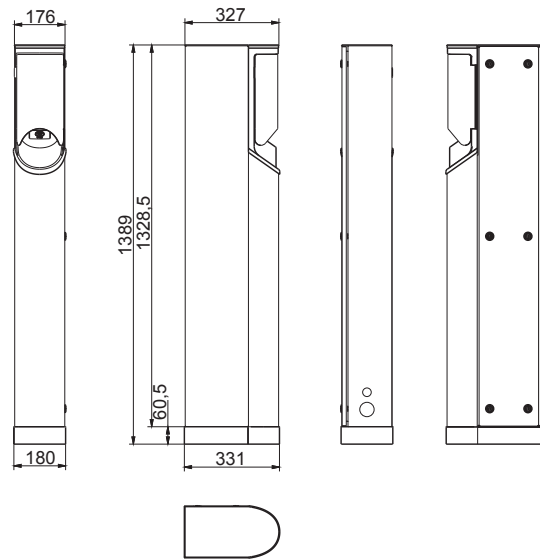
- Protected from vandalism
- Effortless and secure user identification with RFID, Mobile App, NFC
- Ready for Vehicle-to-Grid with domestic sockets

TECHNICAL INFORMATION

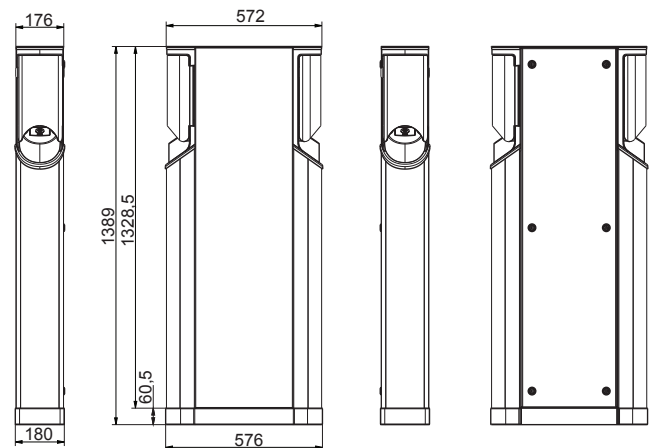
Charger models	EVC 100 (single charging), EVC 200 (dual charging), EVC 300 (dual charging with a grid connection box)
Connection to car	Mode 3 charging (max. 22kW) Option: Domestic socket, Mode 2 charging (max. 3,6kW)
Charging status indication	3 color LED signal light (green, blue, red)
Charging point access control	Free charging (no authentication required) RFID (ISO/IEC 14443A/B, ISO/IEC 15693)
Communication with backend	2G/3G, Ethernet, OCPP 1.5/1.6
No. of simultaneous users	1 (Chago Premium 100), 2 (Chago Premium 200)
Control options	Standalone/Online 2G/3G, LAN, Wi-Fi OCPP IEC15118 Master/slave functionality Ensto EV Cloud & local load management Power failure lock release for Mode 3 outlet Local Whitelist Free charging mode Energy management from external input Automatic charging current management
Material / color	Painted, acid-proof stainless steel Available standard colors: RAL9016S (white), RAL7021 (anthracite) Magnetic hatch for added protection
No. of charging points	1-2 mode 3 Type 2
Supply connections	L1, L2, L3, N, PE Cu 2.5 - 50mm ² , Al 6 - 50mm ²
Operating temperature	From -30 to +50 celsius
Humidity	95% (non condensing)
Standard	IEC 61851-1 compatible, EN61439-1, EN61439-3
Energy measurement / charging point	Current sensors
Enclosure class	IP54
Impact resistance class	IK10
Approval, markings	CE, RoHS
Nominal voltage and frequency	230/400 VAC, 50Hz
Nominal charging current	max. 3 × 32A (Mode 3)
Nominal charging power	22kW / Charging point
Nominal supply	230/400VAC, 50 Hz
Safety features	<ul style="list-style-type: none"> • MCB (Miniature Circuit Breaker) • Residual current protection (RCD) Type A standard, Type B optional
Optional features	<ul style="list-style-type: none"> • Remote monitoring, test, and reset of RCD • 6mA DC residual current leakage detection • Automatic release of charging cable in case of sudden power outage • Overvoltage protection • Lockable lid for domestic socket* • Prepared for Vehicle-to-Grid (ISO15118) • Temperature sensor to ensure safe charging • Tilt sensor to detect collision or vandalism • Real-time clock securing charging records • Dynamic load management • Connection to external management systems and applications via Ensto Cloud and RESTful API • MID class kWh metering <p>*) Measuring power consumption of domestic sockets requires a MID meter</p>

Product dimensions

EVC 100



EVC 200



EVC 300

